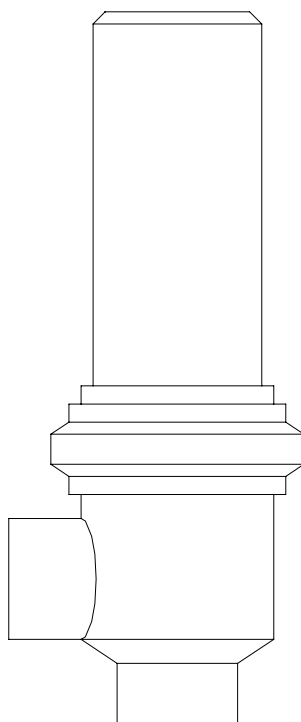


PRESSURE RELIEF VALVES



Application

Pressure relief valves are designed to relieve excess pressure in processing pipelines.

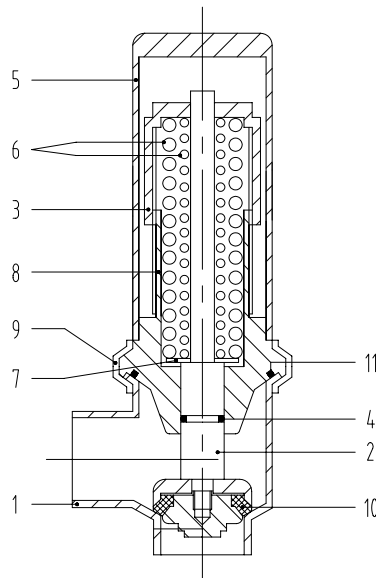
As soon as the pressure in the pipeline exceeds the preset maximum operating pressure the valve opens and relieves the excess pressure. Once the pressure returns within the preset range the valve closes again.

Features

The pressure control element is located inside the valve body to ensure that no accidental operation of the valve occurs.

The valve opening pressure is adjustable from 0 to 5 bar. On request valves can be supplied adjustable up to 12 bar.

Components



PARTS LIST		
1	Valve casing	Aisi 304L/Aisi 316L
2	Head seal	Aisi 304L/Aisi 316L
3	Adjusting cap	BRASS
4	OR seal ring	EPDM
5	Cover	Aisi 304L
6	Spring	Aisi 304L
7	Washer	Aisi 304L
8	Main assembly	Aisi 304L/Aisi 316L
9	Collar	Aisi 304L
10	Lip gasket	PTFE/Silicone/EPDM/FTM
11	OR seal ring	EPDM

Technical Data

Max. product pressure: 12 bar.

General temperature range: -10°C +95°C (+15°F +205°F).

Seals temperature range:

- PTFE: -10°C +150°C (+15°F +300°F);
- silicone: -50°C +200°C (-60°F +390°F);
- EPDM: -30°C +140°C (-20°F +280°F);
- FTM: -15°C +220°C (+5°F +430°F);

Finish: 120 grit (max R_a 1.01–1.14 μm , 40-45 μm).

Production range: DN 25 to DN 80, 1" to 3".

Connections: welding end, threaded end, ferrule end.

Standards: DIN, SMS, RJT BS, IDF ISS, Clamp.

Steel grades: Aisi 304L, Aisi 316L.


Operating Pressure Tables

Pressure relief valves DIN standards:

SPRING CODE	VALVE SIZE					
	DN 25	DN 32	DN 40	DN 50	DN 65	DN 80
630 25/28 06	0–5 bar	0–3 bar	0–3 bar	0–1.5 bar	0–0.9 bar	0–0.4 bar
630 34/40 06	0–8 bar	0–5 bar	0–5 bar	0–3 bar	0–1.8 bar	0–0.9 bar
630 51/52 06	0–15 bar	0–7 bar	0–7 bar	0–5 bar	0–3.1 bar	0–2.2 bar
630 63/85 06	0–25 bar	0–12 bar	0–12 bar	0–7 bar	0–4.5 bar	0–3.5 bar

Pressure relief valves SMS, RJT BS, IDF ISS, Clamp standards:

SPRING CODE	VALVE SIZE				
	1"	1 ½"	2"	2 ½"	3"
630 25/28 06	0–5 bar	0–3 bar	0–1.5 bar	0–1 bar	0–0.5 bar
630 34/40 06	0–8 bar	0–5 bar	0–3 bar	0–2 bar	0–1 bar
630 51/52 06	0–15 bar	0–7 bar	0–5 bar	0–3.5 bar	0–2.5 bar
630 63/85 06	0–25 bar	0–12 bar	0–7 bar	0–5 bar	0–4 bar

 = operating pressure range with standard springs

Pressure relief valves are adjustable from 0 to 5 bars with standard springs. On request, using bigger springs, they are adjustable up to 12 bars. 2", 52, and 2 ½" valves are adjustable up to 12 bars using disc springs.

Pressure relief valves with disc springs:

NO. SPRINGS	VALVE SIZE		
	2"	DN 50	2 ½"
46	8 bar	8 bar	
56	9-12 bar	9-12 bar	8-10 bar
60			11-12 bar

For further technical information, section and dimensional drawings and range of models available please refer to our series of product brochures, technical catalogues and valve manuals.